



Dimmer Switches



In creating the modern, aesthetically pleasing and ergonomic design of the CURVA range we did not lose sight of the need to produce a true value for money product offering the upmost appeal to installers and end users alike.

Only the best quality raw materials were used in producing this durable, attractive and modern range of accessories which will adorn the walls of all manner of buildings for years to come.

Dimmer Switches

Product Range

Dimmer Switches For Tungsten, Halogen & Low Voltage

CCA141	1 Gang 2 Way 250W/Va Resistive/Inductive Dimmer Switch
CCA142	2 Gang 2 Way 250W/Va Resistive/Inductive Dimmer Switch
CCA143	3 Gang 2 Way 250W/Va Resistive/Inductive Dimmer Switch
CCA144	4 Gang 2 Way 250W/Va Resistive/Inductive Dimmer Switch



CCA141



CCA142



CCA143

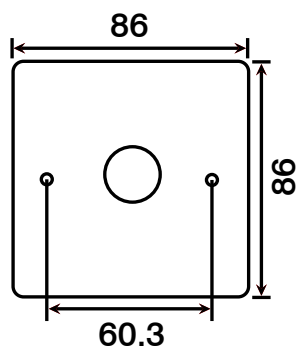


CCA144

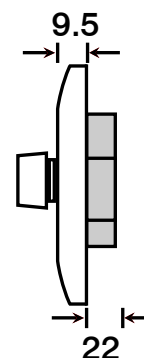
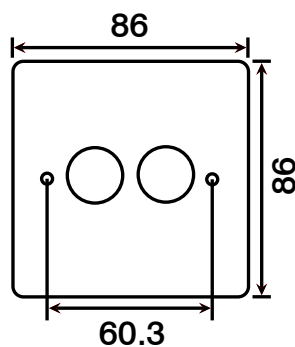
Dimmer Switches

Product Dimensional Drawings (mm)

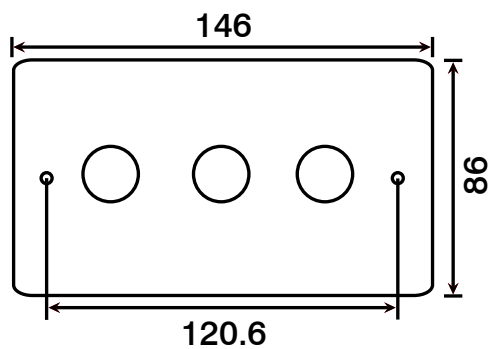
CCA141



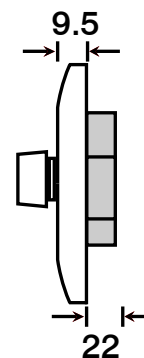
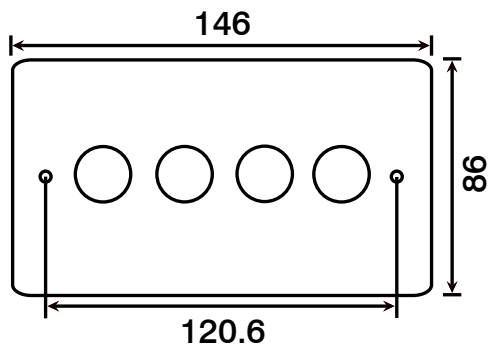
CCA142



CCA143



CCA144

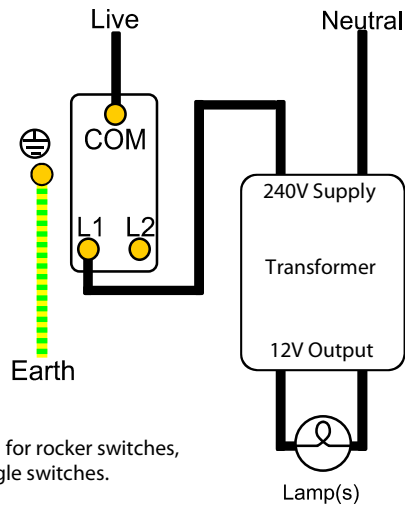
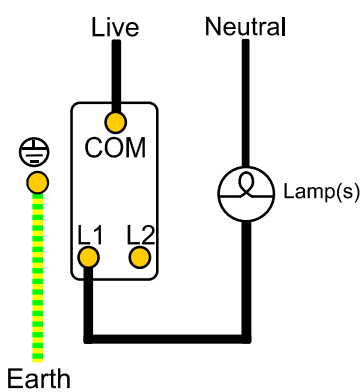


Dimmer Switches

Wiring Diagrams

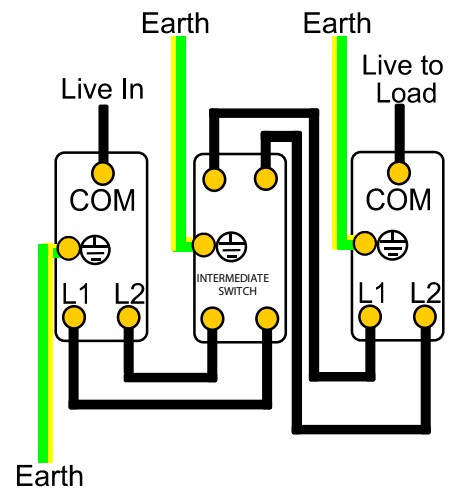
1 - Way Switch Circuit

Using 2 Way Rocker or Dimmer Switch with Tungsten Filament and 12V Lighting

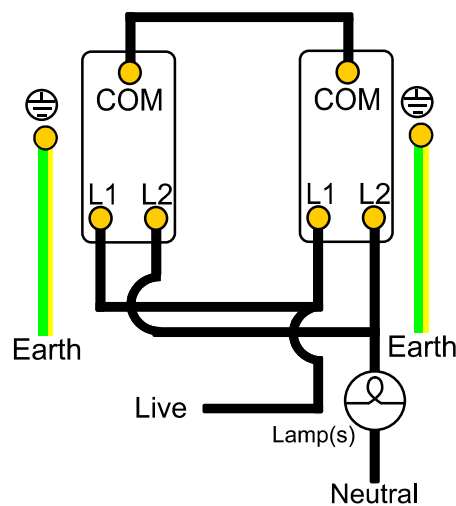
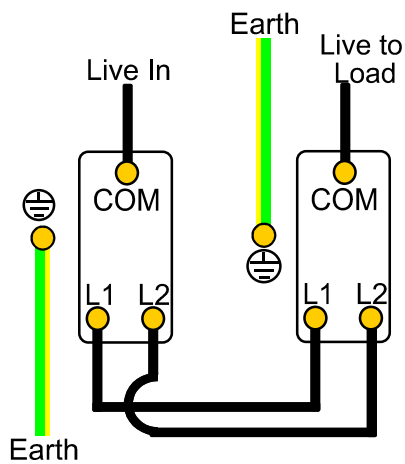


Minimum of 16mm Deep Back Box required for rocker switches, 25mm deep for dimmers and toggle switches.

Intermediate Switch Circuit



Typical 2 - Way Switch Circuits



Using Two 2 Way Rocker Switches or Replacing One with a 2 Way Dimmer Switch.

Dimmer Switches

Technical Specification

Dimmer Switches For Tungsten, Halogen & Low Voltage

Material Composition	Front Plate, Dimmer Switch & Rear Housing: Urea Terminals: Brass Terminal Screws: Steel & Yellow Passivated
Voltage	240V~ 50Hz
Load Types	Resistive / Inductive
Module Types	Leading Edge Technology
Terminal Size	3.5mm \varnothing
Cable Size	2 x 1.5mm ²
Back Box Depth	25mm - 47mm
Modular	Yes (MD9001, MD9010, MD9022, MD9042)
Warranty	10 Years
Anti Microbial Certified	Yes
IP Rating	IP20
Operational Temperature	-5° to +40°C
Standards	The Low Voltage Directive 2006/95/EC / Modified ISO 22196 BS EN 60669-1:1999 + A1:2002 + A2:2008 EN 61000 : 1995 + A1, EN 55015 : 2000 + A1

Additional Information

We recommend using branded tungsten halogen lamps that incorporate internal fuses. The use of inferior, non-branded lamps may require the nominal rating of the dimmer to be reduced.

When dimming low voltage lighting, this dimmer must be used with dimmable, leading edge transformers only. Always check compatibility prior to installation and if in doubt, seek advice with transformer manufacturer.

Ensure that the mains supply is isolated before commencing installation and refer to the circuit diagram supplied with the relevant product.

We DO NOT recommend mixing electronic and magnetic transformers on the same dimmer switch.

All white moulded accessories are manufactured using Urea Formaldehyde, which has similar inherent properties to antimicrobial additives that inhibit the growth of infectious diseases. All products were independently tested and achieved a 99.9% kill rate across all four types of strains of bacteria - MRSA, E-Coli, Salmonella, and Klebsiella Pneumoniae.

Errors & Omissions excluded. Specification is subject to change without notice.

V1.0

Scolmore International Ltd, 1 Scolmore Park, Landsberg, Lichfield Road Ind. Estate, Tamworth, Staffordshire, B79 7XB

Telephone: 01827 63454

E-mail: sales@scolmore.com, technical@scolmore.com

Facsimile: 01827 63362

Website: www.scolmore.com



DECLARATION OF CONFORMITY

1. *Issuer Name* Scolmore International Limited
2. *Issuer Address* 1 Scolmore Park, Landsberg,
Lichfield Road Industrial Estate,
Tamworth, Staffordshire, B79 7XB
3. *Object(s) of Declaration* Curva Range
- a. *Group* Dimmer Switches
- b. *Model No.* CCA141, CCA142, CCA143, CCA144
4. *The object of the declaration described above is in conformity with the requirements of the following Legislations:*
- | Document No | Title |
|-------------|-----------------------|
| 2006/95/EC | Low Voltage Directive |

5. *All products contained within the aforementioned comply with the relevant standards and requirements listed below.*

EN 55015 : 2000 +A1
EN 61000 : 1995 +A1
BS EN 60669-2-1 : 2000

6. *I hereby declare that the equipment named above has been designed to comply with the relevant sections of the above referenced specifications. The unit complies with all applicable Essential Requirements of the Directives.*

In conjunction with the above all manufacture and process controls are in accordance with ISO 9001:2008

Signed, for and on behalf of: Scolmore International Limited

Steven Bettson BSc - Senior Technical Support Engineer

CE 10